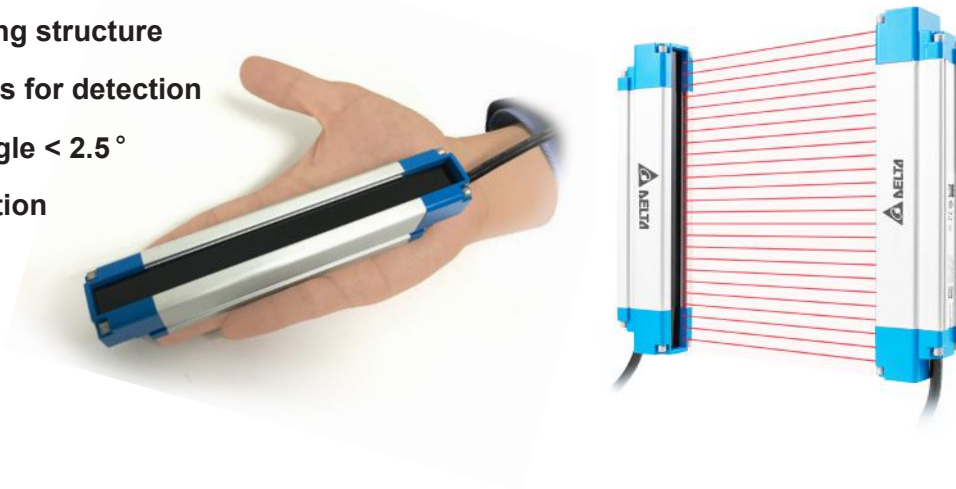


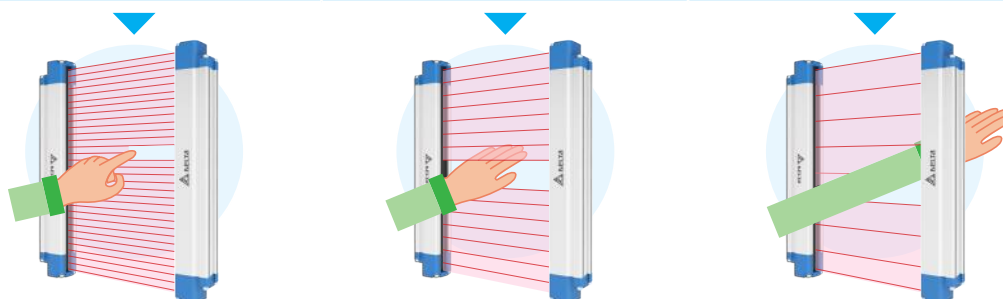


## Area Sensor AS Series

- ▶ Aluminum case, strong structure
- ▶ No dead zone curtains for detection
- ▶ Effective aperture angle <math>< 2.5^\circ</math>
- ▶ IP67 and CE certification

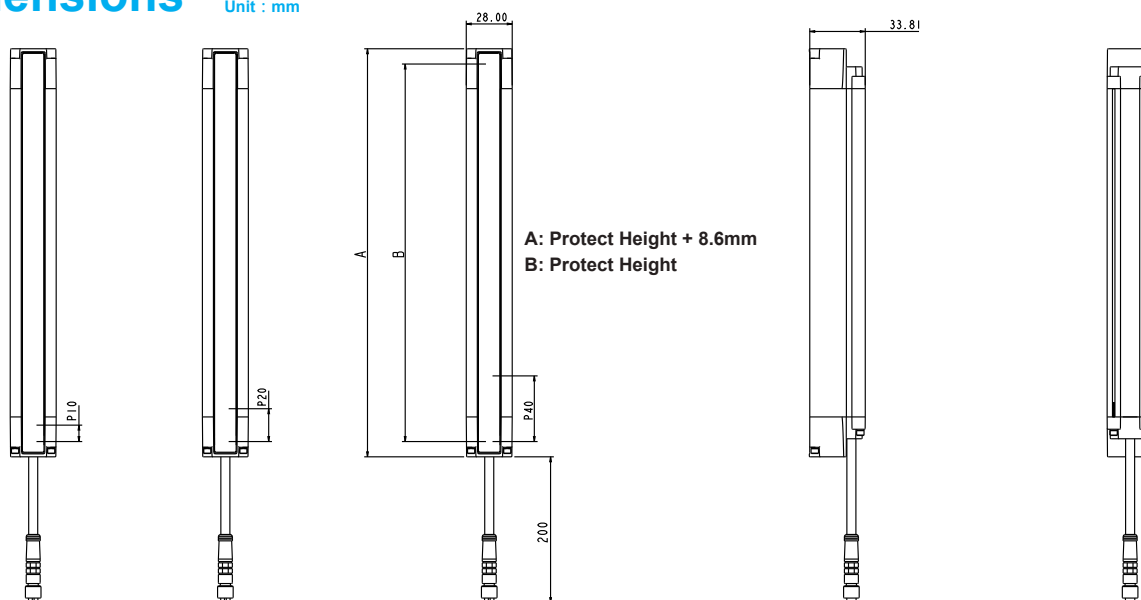


| Pitch            | 10 mm           | 20 mm           | 40 mm           |
|------------------|-----------------|-----------------|-----------------|
| Channels         | 24~128          | 8~96            | 4~36            |
| Protect Height   | 240 to 1,280 mm | 160 to 1,920 mm | 160 to 1,440 mm |
| Sensing Distance | 0.1m~5m         | 0.1m~10m        | 0.1m~10m        |
| Model Name       | AS - BF □□□     | AS - BH □□□     | AS - BA □□□     |




## Dimensions


Unit : mm



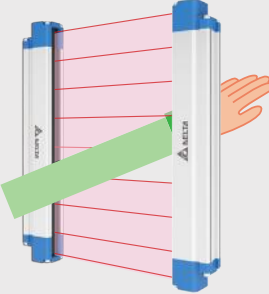


## Specifications

| Finger Detection (Pitch: 10 mm)   |            |          |                    |                  |
|---|------------|----------|--------------------|------------------|
|  | Model Name | Channels | Protect Height (B) | Sensing Distance |
|   | AS-BF024   | 24       | 240                | 0.1M ~ 5M        |
|   | AS-BF032   | 32       | 320                |                  |
|   | AS-BF040   | 40       | 400                |                  |
|   | AS-BF048   | 48       | 480                |                  |
|   | AS-BF056   | 56       | 560                |                  |
|   | AS-BF064   | 64       | 640                |                  |
|   | AS-BF072   | 72       | 720                |                  |
|   | AS-BF080   | 80       | 800                |                  |
|   | AS-BF088   | 88       | 880                |                  |
|   | AS-BF096   | 96       | 960                |                  |
|   | AS-BF104   | 104      | 1,040              |                  |
|   | AS-BF112   | 112      | 1,120              |                  |
|   | AS-BF120   | 120      | 1,200              |                  |
|   | AS-BF128   | 128      | 1,280              |                  |

| Hand Detection (Pitch: 20 mm)   |            |          |                    |                  |
|---|------------|----------|--------------------|------------------|
|  | Model Name | Channels | Protect Height (B) | Sensing Distance |
|   | AS-BH008   | 8        | 160                | 0.1M ~ 10M       |
|   | AS-BH012   | 12       | 240                |                  |
|   | AS-BH016   | 16       | 320                |                  |
|   | AS-BH020   | 20       | 400                |                  |
|   | AS-BH024   | 24       | 480                |                  |
|   | AS-BH028   | 28       | 560                |                  |
|   | AS-BH032   | 32       | 640                |                  |
|   | AS-BH036   | 36       | 720                |                  |
|   | AS-BH040   | 40       | 800                |                  |
|   | AS-BH044   | 44       | 880                |                  |
|   | AS-BH048   | 48       | 960                |                  |
|   | AS-BH052   | 52       | 1,040              |                  |
|   | AS-BH056   | 56       | 1,120              |                  |
|   | AS-BH060   | 60       | 1,200              |                  |
|   | AS-BH064   | 64       | 1,280              |                  |
|   | AS-BH068   | 68       | 1,360              |                  |
|   | AS-BH072   | 72       | 1,440              |                  |
|   | AS-BH076   | 76       | 1,520              |                  |
|   | AS-BH080   | 80       | 1,600              |                  |
|   | AS-BH084   | 84       | 1,680              |                  |
| AS-BH088  | 88         | 1,760    |                    |                  |
| AS-BH092  | 92         | 1,840    |                    |                  |
| AS-BH096  | 96         | 1,920    |                    |                  |

# Specifications

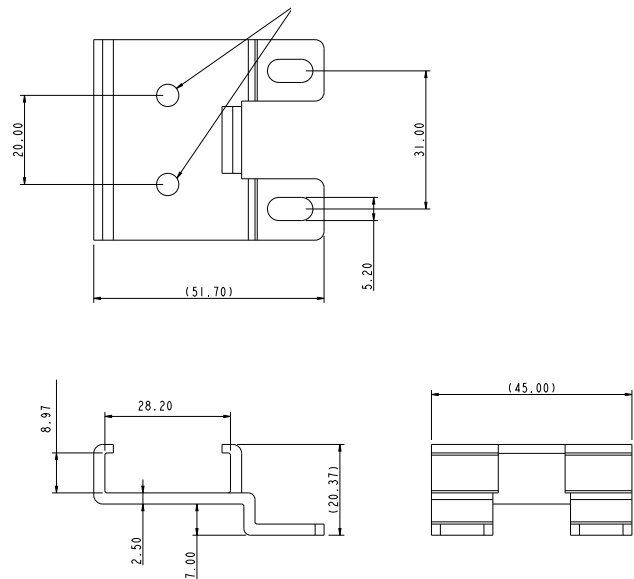
| Arm Detection (Pitch: 40 mm)  |            |          |                    |                  |
|---|------------|----------|--------------------|------------------|
|  | Model Name | Channels | Protect Height (B) | Sensing Distance |
|   | AS-BA004   | 4        | 160                | 0.1 M ~ 10 M     |
|   | AS-BA006   | 6        | 240                |                  |
|   | AS-BA008   | 8        | 320                |                  |
|   | AS-BA010   | 10       | 400                |                  |
|   | AS-BA012   | 12       | 480                |                  |
|   | AS-BA014   | 14       | 560                |                  |
|   | AS-BA016   | 16       | 640                |                  |
|   | AS-BA018   | 18       | 720                |                  |
|   | AS-BA020   | 20       | 800                |                  |
|   | AS-BA022   | 22       | 880                |                  |
|   | AS-BA024   | 24       | 960                |                  |
|   | AS-BA026   | 26       | 1,040              |                  |
|   | AS-BA028   | 28       | 1,120              |                  |
|   | AS-BA030   | 30       | 1,200              |                  |
|   | AS-BA032   | 32       | 1,280              |                  |
| AS-BA034  | 34         | 1,360    |                    |                  |
| AS-BA036  | 36         | 1,440    |                    |                  |

# Electrical Specifications

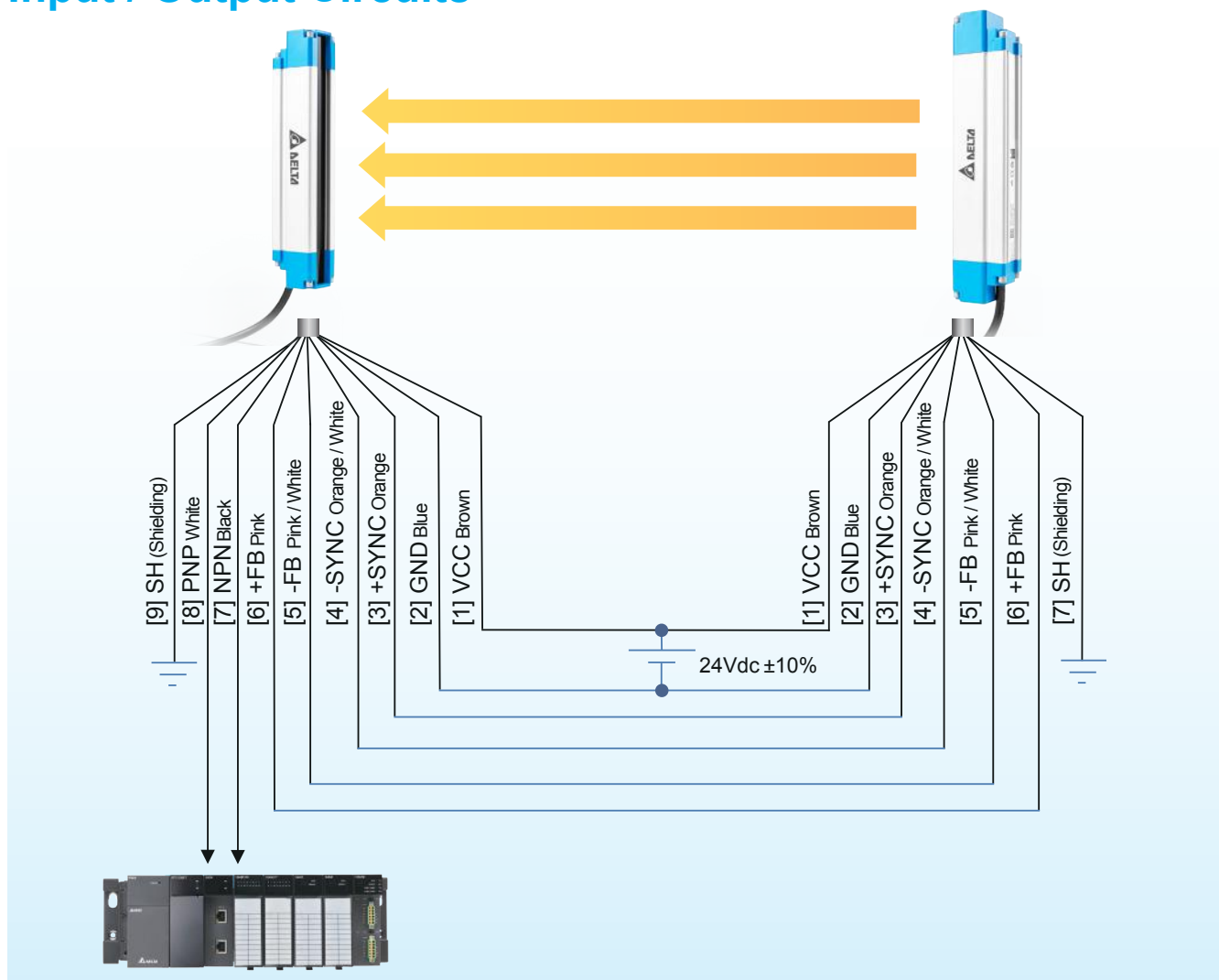
| Area Sensor              |   |
|--------------------------|---|
| Voltage Range            | 24VDC ± 10%   |
| Light Source             | Infrared LED (850nm)  |
| Indicator                | <ul style="list-style-type: none"> <li>Upper / Lower indicator (blue light): when the top and bottom are aligned</li> <li>Green light: all channel are aligned</li> <li>Red light: any channel is mis-aligned or blocked</li> <li>Orange light: without Synchronization signal</li> </ul> |
| Protection Circuit       | Protection against reverse power connection, output overcurrent, power supply surge, output surge   |
| Operating Temperature    | -10 °C ~ 55°C , no freezing   |
| Storage Temperature      | -25 °C ~ 75°C   |
| Ambient Humidity         | 30 ~ 85%  |
| Enclosure Rating         | IP67  |
| Ambient Light Resistance | 5,000 lux or less   |
| Vibration Resistance     | 10 ~ 55 Hz, 1.5mm, 3 axes for 2 hours   |
| Shock Resistance         | Max. 100 m/s <sup>2</sup> , 3 axes, 6 directions and 3 times in each  |
| Insulating Resistance    | 20 MΩ or more (500 VDC)   |
| Withstand Voltage        | 1,000 VAC 50 / 60 Hz 1min   |
| Material                 | Case: Aluminum, Cover lens: PMMA, Upper / lower case: Zinc alloy  |
| Cables                   | M12 connector, 200mm PVC cable  |
| Certifications           | CE  |

# Brackets

Unit : mm



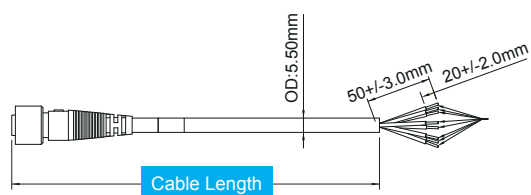
## Input / Output Circuits



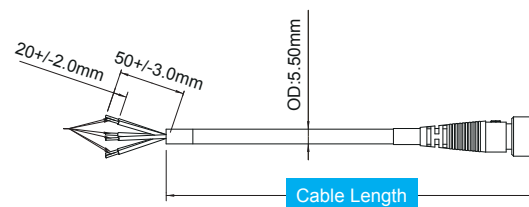
## Dimensions

|              |       |
|--------------|-------|
| Cable Length | 3.5 m |
|              | 5 m   |
|              | 10 m  |

### • Transmitter



### • Receiver

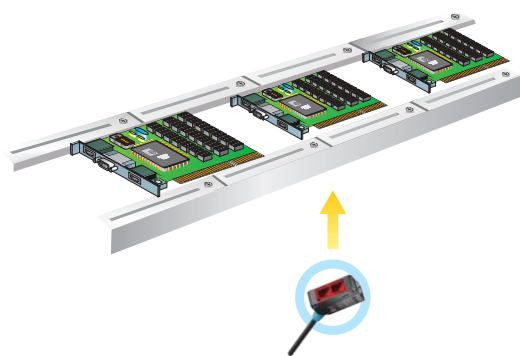




# Applications

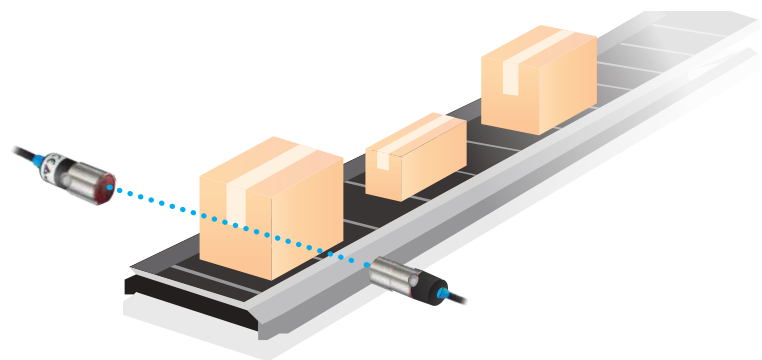
## Electronics Industry

Detects PCB boards



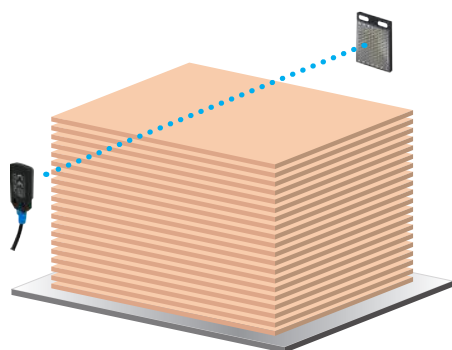
## Warehouse / Logistics

Detects cartons



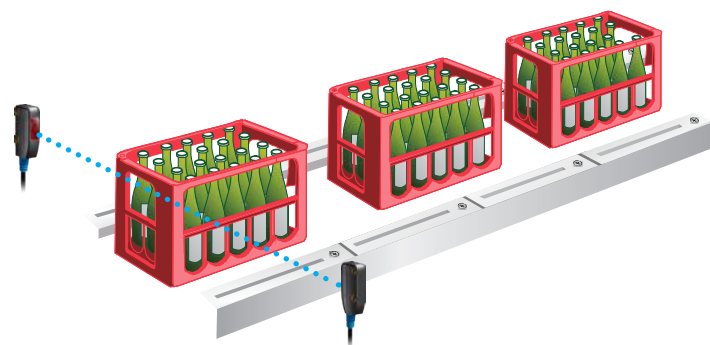
## Wood Industry

Detects wood stacking



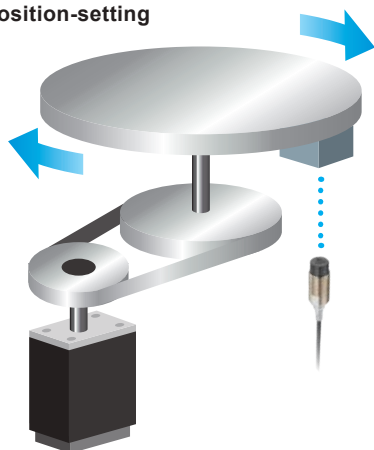
## Food and Beverages

Detects boxes of beverages



## Equipment & Machines

Sensor for position-setting



## Electronics Industry

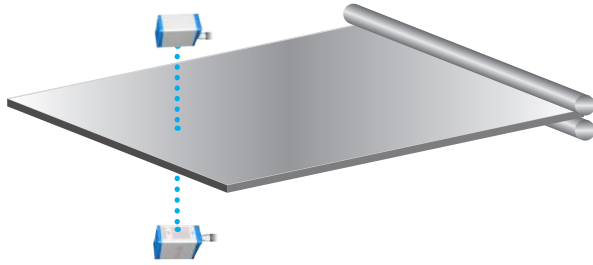
Detects IC components





### Wood and Steel industry

Measures the thickness of wood or steel



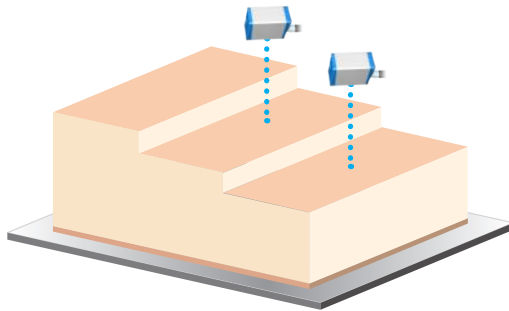
### Electronics Industry

Robot arm's reproducibility test



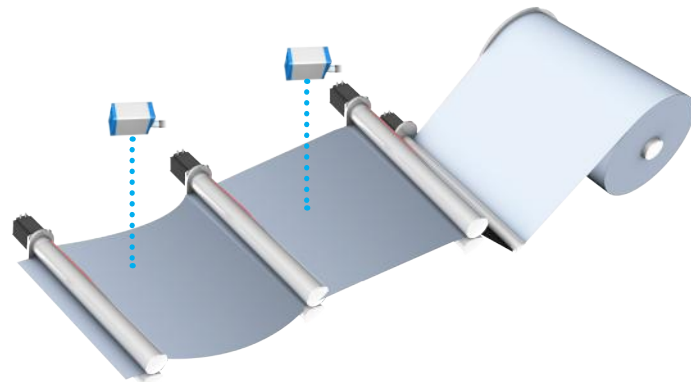
### Electronics Industry

Measures the depth/ thickness of product



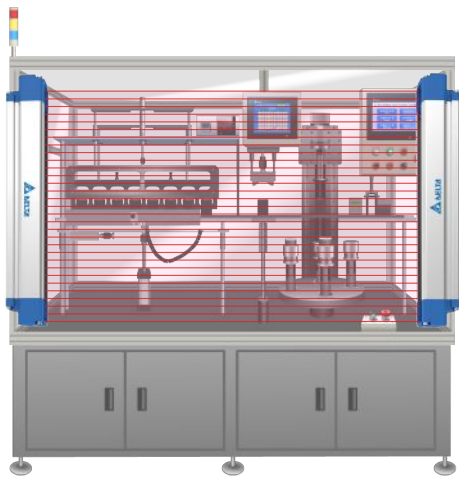
### Textile Industry

Measures the hoop slack



### Safety

Marks a dangerous zone and protects operators



### Safety

Marks a dangerous zone and protects operators

