




Photoelectric Sensor PS-M Series

- ▶ Standard size for mounting (M18)
- ▶ Range adjustment via button
- ▶ IP67 and CE certification
- ▶ Electrical circuit protection

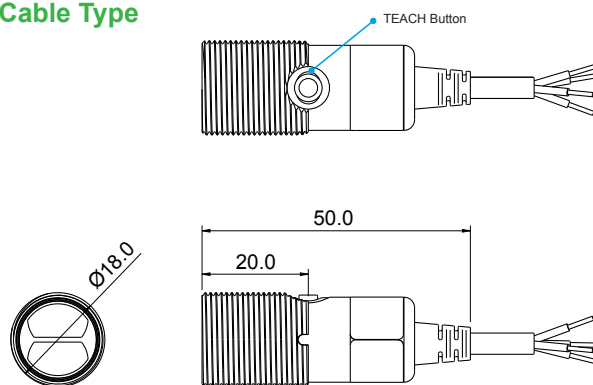


Appearance	Sensing Method	Sensing Distance	NPN	PNP / Push Pull	Connection
 Cylindrical Type (TEACH)	Diffuse Reflect	100 mm (Fixed)	PS-MR1-NSB2	PS-MR1-USB2	2M cable (4 wires)
			PS-MR1-NSBD	PS-MR1-USBD	M12 connector
		300 mm	PS-MR3-NS22	PS-MR3-US22	2M cable (4 wires)
			PS-MR3-NS2D	PS-MR3-US2D	M12 connector
		1 M	PS-MR9-NS22	PS-MR9-US22	2M cable (4 wires)
			PS-MR9-NS2D	PS-MR9-US2D	M12 connector
	Retro-Reflect	4.2 M	PS-ML4-NS22	PS-ML4-US22	2M cable (4 wires)
			PS-ML4-NS2D	PS-ML4-US2D	M12 connector
	Through Beam	5 M (Fixed)	PS-MT5-NSB2	PS-MT5-USB2	2M cable (4 wires)
			PS-MT5-NSBD	PS-MT5-USBD	M12 connector

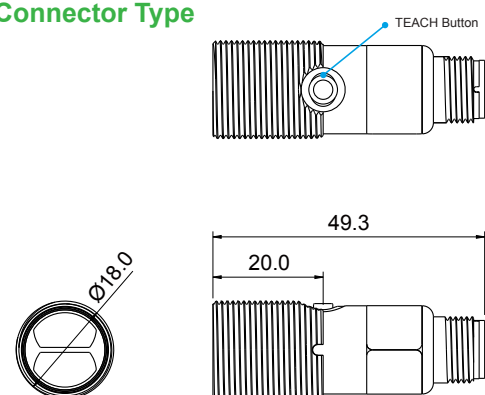
Dimensions

Unit : mm

• Cable Type

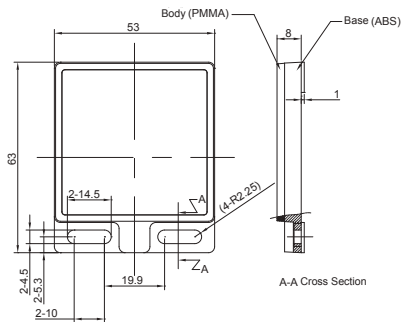


• Connector Type

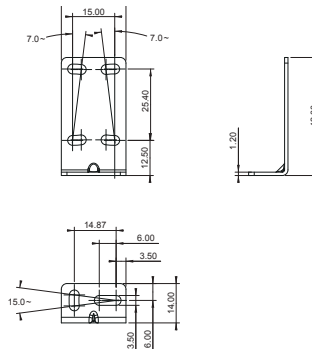


Accessories

- Reflector

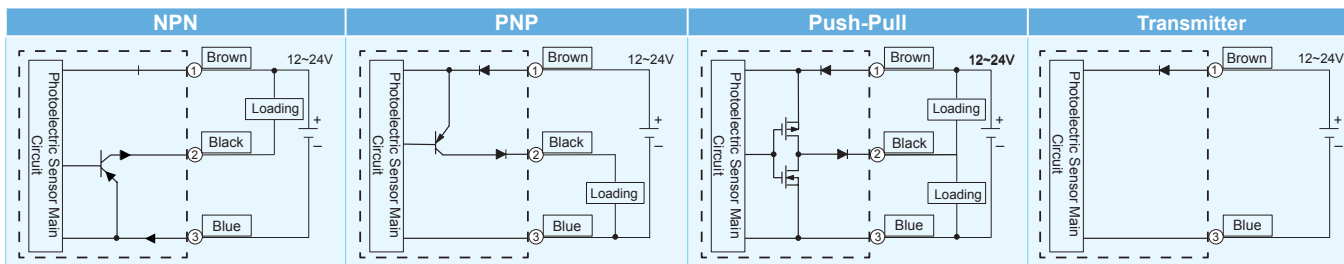


- Bracket (Rectangular type)

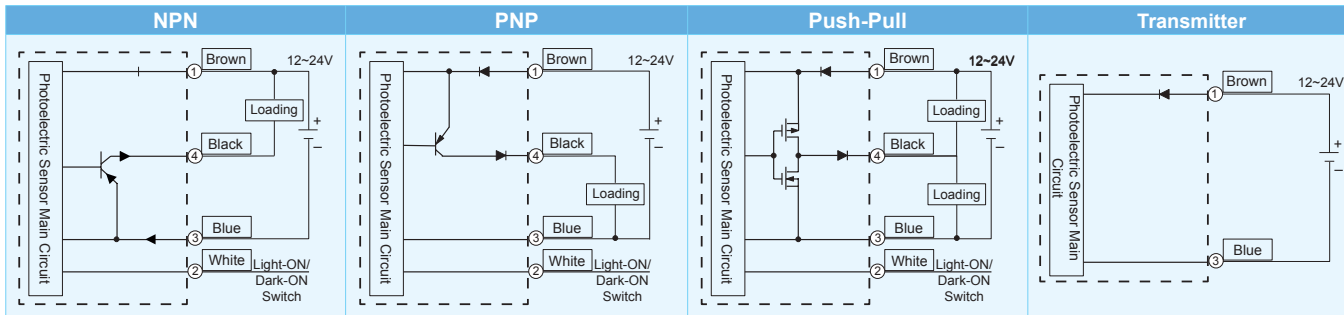


Input / Output Circuits

- 3 Wires



- 4 Wires



Common Specifications

Photoelectric Sensor	
Voltage Range	12 ~ 24 VDC ± 10%
Response Time	ON → OFF: 0.5ms; OFF → ON: 0.5ms
Indicator	Output indicator (orange), stable operation indicator (green)
Protection Circuit	Protection against reverse power connection, output overcurrent, power supply surge, output surge
Operating Temperature	-25 °C ~ 55°C
Storage Temperature	-25 °C ~ 75°C
Ambient Humidity	30 ~ 85%
Enclosure Rating	IP67
Ambient Light Resistance	5,000 lux or less
Vibration Resistance	10~55 Hz, 1.5mm, 3 axes for 2 hours
Shock Resistance	Max. 1,000 m/s ² , 3 axes, 6 directions and 3 times in each.
Insulating Resistance	20 MΩ or more (500VDC)
Withstand Voltage	1,000 VAC 50 / 60 Hz 1min