



## Cost-efficient Multifunction Pressure Sensor DPB Series

- ▶ Various unit conversion
- ▶ Various output modes
- ▶ 3 sets of color display
- ▶ 10 sets of output response time setup
- ▶ Fast zero reset
- ▶ Safety control function
- ▶ Easy code display



### Various Unit Conversion

The DPB Series offers 6 kinds of globally adopted pressure units for measurement and display.



### 3-Color LCD Display (Green, Red, Orange)

The large LCD with a green, red and orange 3-color LCD display allows users to set the display color according to the ambient environment, such as when the pressure is within normal range or exceeds the allowed range. The display's color is orange when in parameter setup mode. This makes it easy for reading and reduces operation errors.



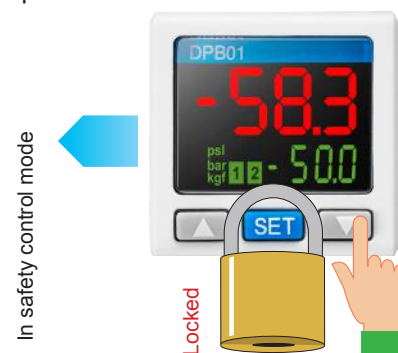
Color for upper / lower limit display (green / red)



Parameter set up (orange)

### Safety Control Mode

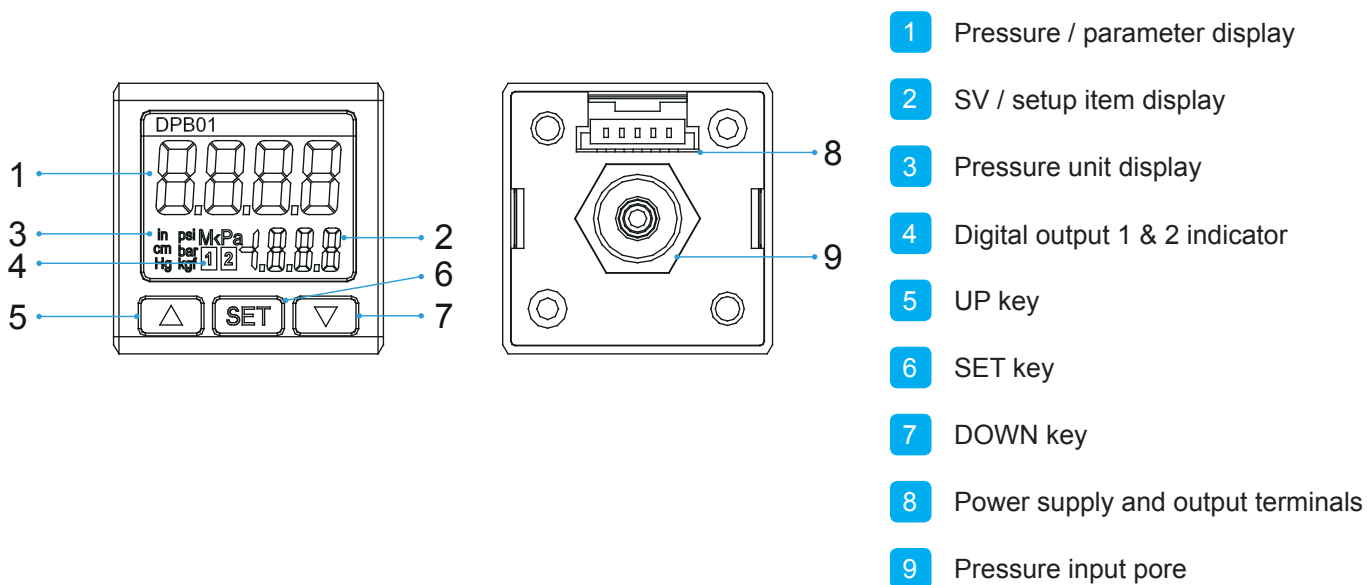
The safety control mode prevents operators from carelessly touching relevant parameters and affecting the operation and production of the equipment.



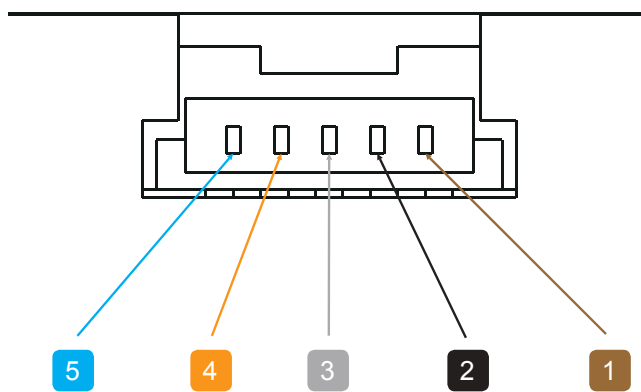
## Specifications

Power Supply	Voltage range	12 ~ 24 V <sub>DC</sub> ± 10% no isolation
	Power consumption	40 mA Max.
Pressure Measurement	Pressure type	Non-corrosive gas, gauge type
	Measurable range	DPB01: -100 kPa ~ 100 kPa; DPB10: -100 kPa ~ 1,000 kPa
	Max. durable pressure	DPB01: 200 kPa; DPB10: 1,500 kPa
	Accuracy	± 3% entire process
Display	Setup display	2-line LCD display, 4 digits for measured value and 3.5 digits for setup display
	Cycle	100ms, 250ms, 500ms, 1,000ms
Output	Number of outputs	Built-in 2 NPN or PNP transistor digital outputs
	Transistor output	Max. durable pressure 30V / 100mA, residual voltage 1.5V
	Response time	2ms, 4ms, 10ms, 30ms, 50ms, 100ms, 250ms, 500ms, 1,000ms, 5,000ms
Temperature	Ambient: 0°C ~ +50°C; Storage: -20°C ~ +65°C	
Ambient humidity	35% ~ 80% RH (non-condensing)	

## Product Profile & Outline

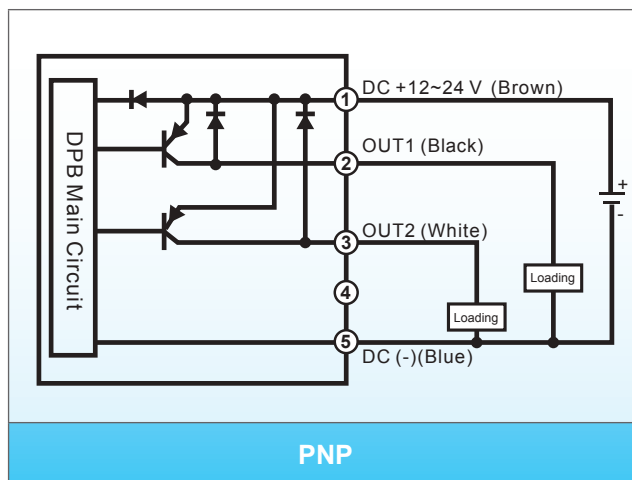
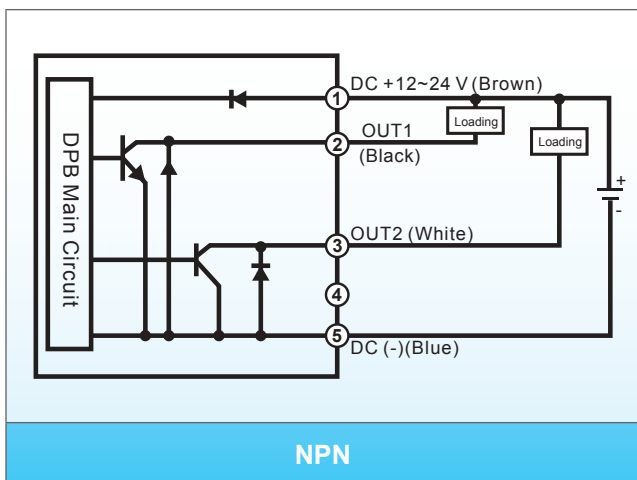


## Terminals



- 1** Positive power supply input (Brown)
- 2** Digital output 1 signal (Black)
- 3** Digital output 2 signal (White)
- 4** No function (Orange)
- 5** Negative power supply input (Blue)

## Various Output Control Modes



## Ordering Information

**DPB** **0** **1** **N** - **P**

### Range for Pressure Measurement

- 01** -100 kPa ~ 100 kPa
- 10** -100 kPa ~ 1,000 kPa

### Product Name

DPB Series pressure sensor

### Pressure Pore Type

- P** Outer pore 1/8 PT, inner pore M5
- N** Outer pore 1/8 NPT, inner pore M5
- G** Outer pore 1/8 G, inner pore M5

### Output Type

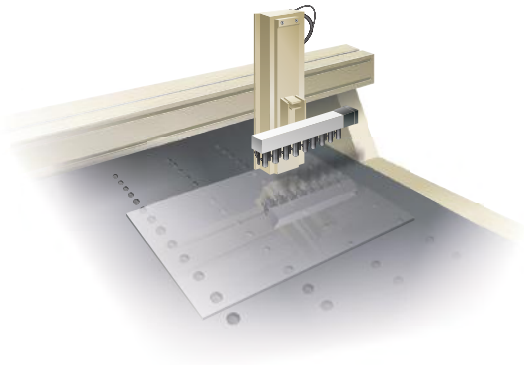
- N** NPN output
- P** PNP output



## Applications

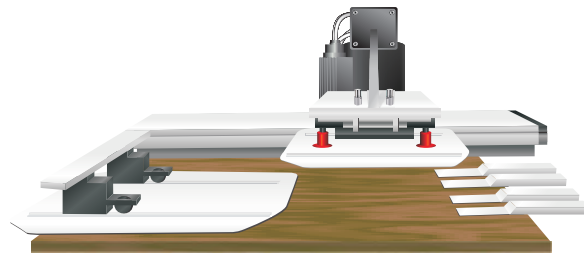
### ■ Mechanical Processing Industry

Mechanical product processing and fixing



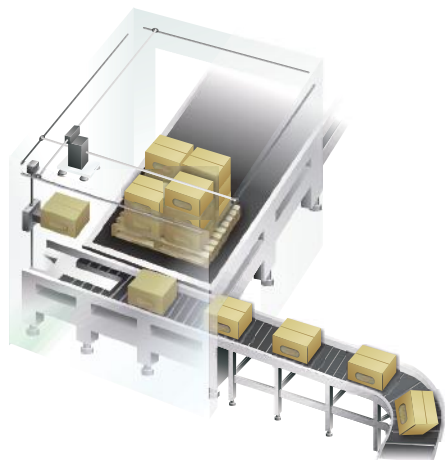
### ■ Solar Energy Industry

Turnkey module lines suction



### ■ Food Packaging Industry

Drinks, cans suction and packaging



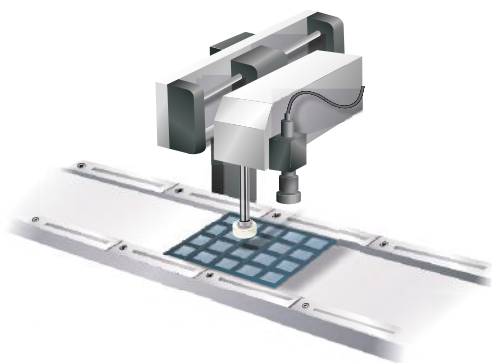
### ■ Semiconductor Industry

Wafer suction and loading



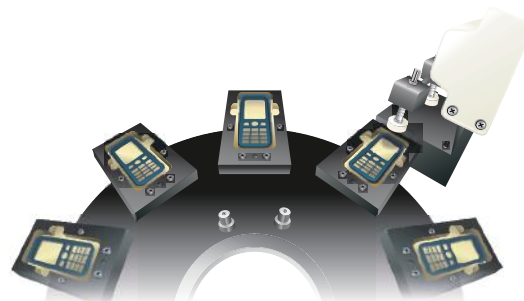
### ■ Electronic Components Industry

IC component suction and confirmation



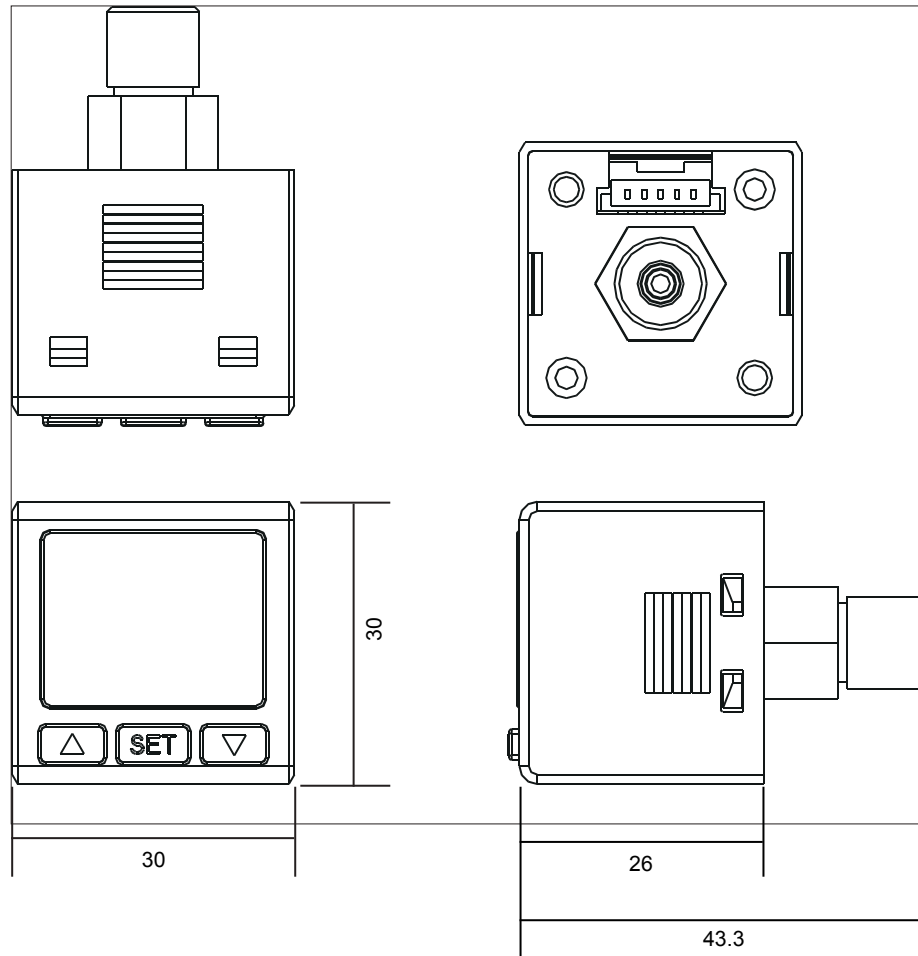
### ■ Automatic Assembly Industry

Automation component assembly and confirmation



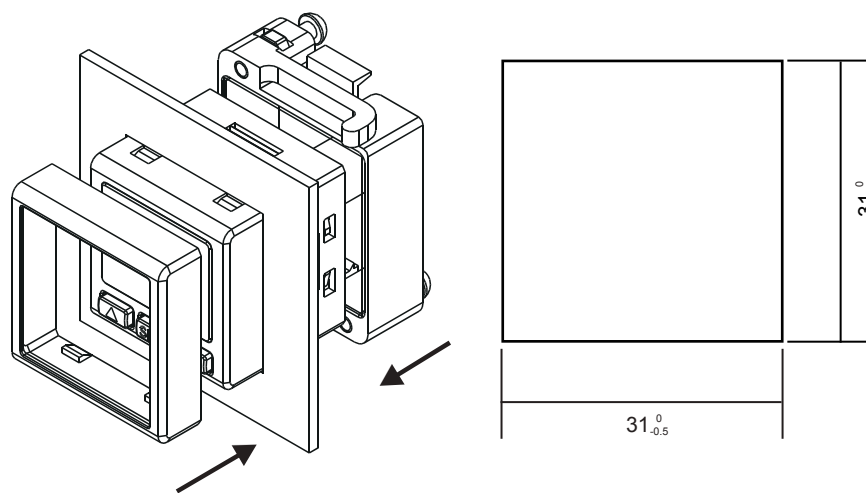


## Dimensions (DPA / DPB) Unit : mm



## Panel Accessory (DPA / DPB) Unit : mm

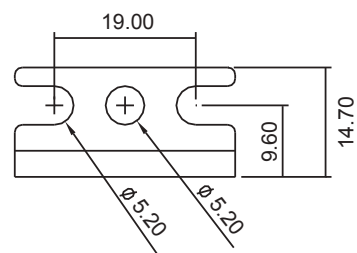
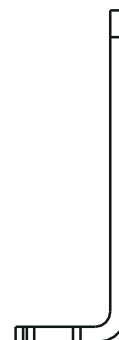
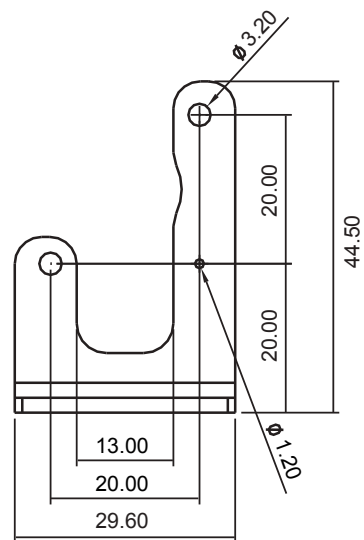
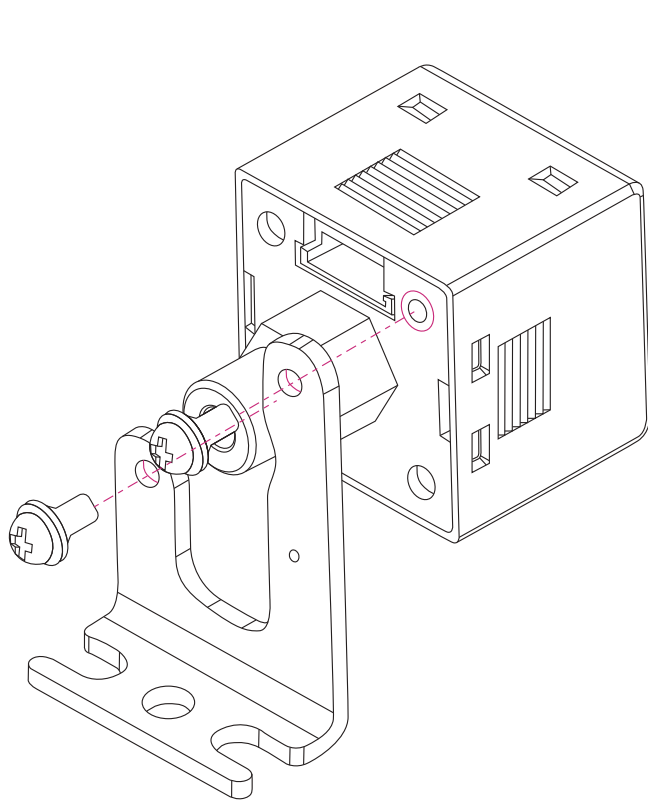
Model: DPA-PFKit





## Shelf Accessory (DPA / DPB) Unit : mm

Model: DPA-FMKit



## Transparent Protective Cover (DPA / DPB) Unit : mm

Model: DPA-FPCKIT

